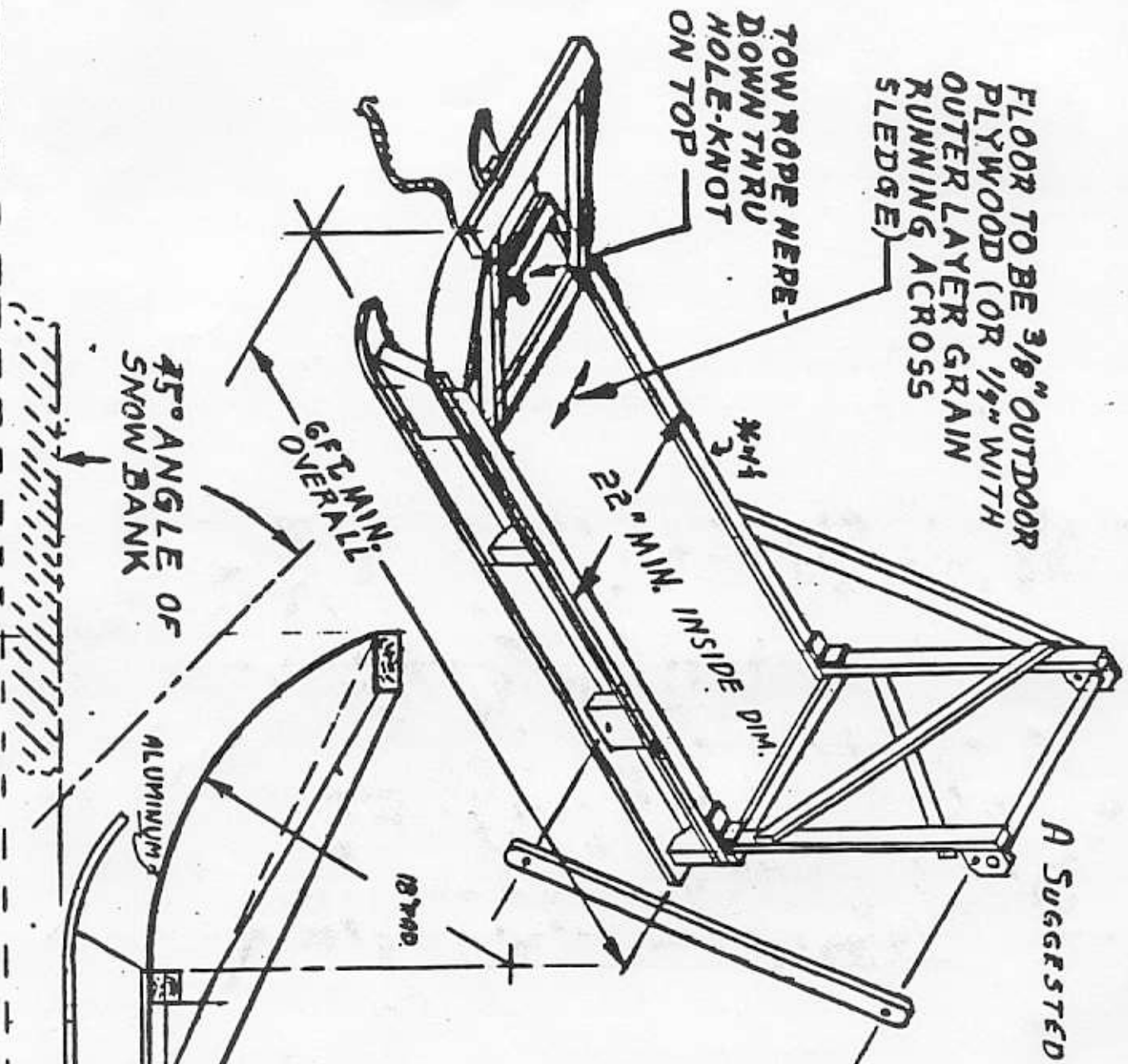
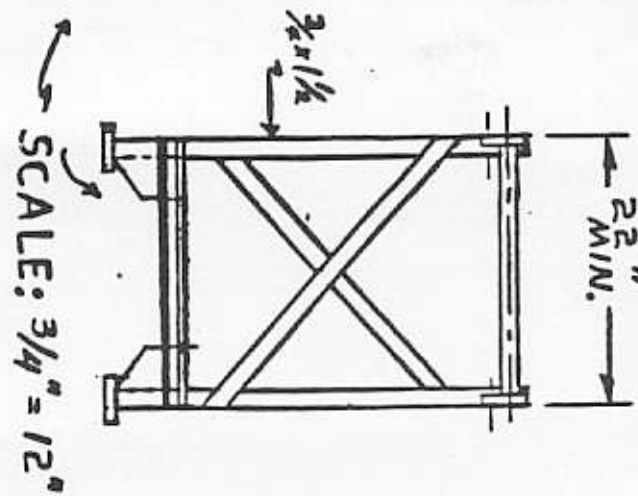


FLOOR TO BE 3/8" OUTDOOR PLYWOOD (OR 1/4" WITH OUTER LAYER GRAIN RUNNING ACROSS SLEDGE)

TOW ROPE HERE - DOWN THRU HOLE-KNOT ON TOP



A SUGGESTED KLONDIKE DERBY "SLEDGE"



SCALE: 1 1/2" = 12"

SCALE: 3/4" = 12"